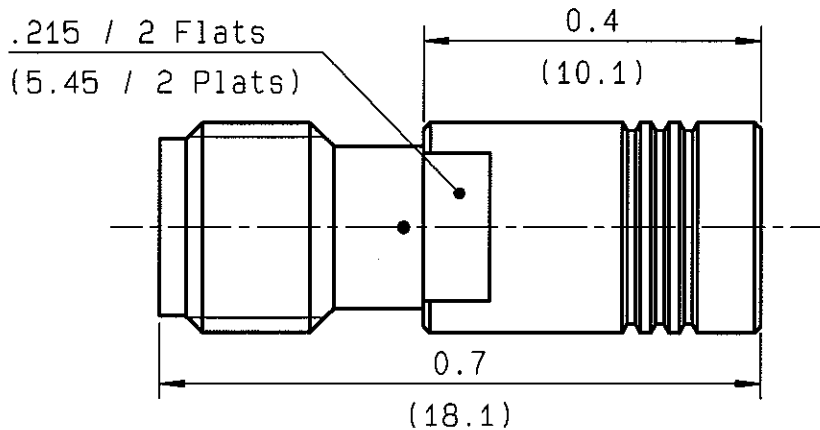


**SMA FEMALE - RP SMB PLUG ADAPTER**

**R191.976.307**  
**SERIES ADAPT**

4 Creves pour immobilisation du contact-central  
 (4 idents for center-contact captivation).  
 (4-Punkt-Crimping zur Fixierung des innenleiters).



NOMINAL IMPEDANCE	<b>50</b> $\Omega$
FREQUENCY RANGE	<b>0-4</b> GHz
TEMPERATURE RATING	<b>-65/+165</b> °C
V.S.W.R	<b>1.05 + .005 x F(GHz)Max</b>
RF INSERTION LOSS	<b>0.05</b> $\sqrt{F}$ (GHz) dB Max
VOLTAGE RATING	<b>500</b> Veff Max
DIELECTRIC WITHSTANDING VOLTAGE	<b>1000</b> Veff Min
INSULATION RESISTANCE	<b>1000</b> M $\Omega$ Mini
HERMETIC SEAL	<b>NA</b> Atm.cm <sup>3</sup> /s
LEAKAGE (pressurized only)	<b>NA</b>
MECHANICAL DURABILITY	<b>500</b> Cycles
WEIGHT	gr
SPECIFICATION	

CABLES :	
OTHERS CHARACTERISTICS	
CABLE RETENTION	N Mini
CENTER CONTACT RETENTION	
Axial force - mating end	<b>10</b> N Mini
Axial force - opposite end	<b>10</b> N Mini
Torque	<b>NA</b> cm.N Mini
RECOMMENDED TORQUES	
Mating	<b>NA</b> cm.N
Panel nut	<b>NA</b> cm.N
Clamp nut	<b>NA</b> cm.N

CONNECTOR PARTS	MATERIALS	FINISH	(all values are given in micrometers)
BODY	BRASS	BBR 2	
OUTER CONTACT	BERYLLIUM COPPER	GOLD 0.5 OVER NICKEL 2	
CENTER CONTACT	BERYLLIUM COPPER	GOLD 1.3 OVER COPPER 2.5	
INSULATOR	PTFE	-	
GASKET		-	
OTHERS PIECES			

COLLINS

ISSUE  
**0505 A01**

CREATION DATE  
**05/11/1997**

FILE PART-NUMBER  
**97-0400-587**



**RADIALL**®

The information given here is subject to change without notice.  
 Design changes may be in order to improve the product.

*Connect to the future*